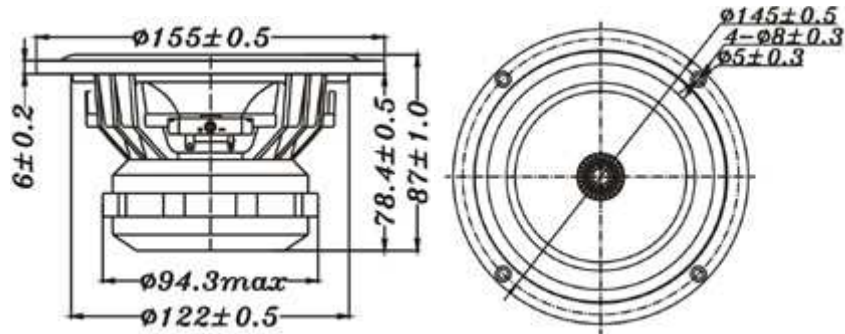


# F SERIES

# W5-1880

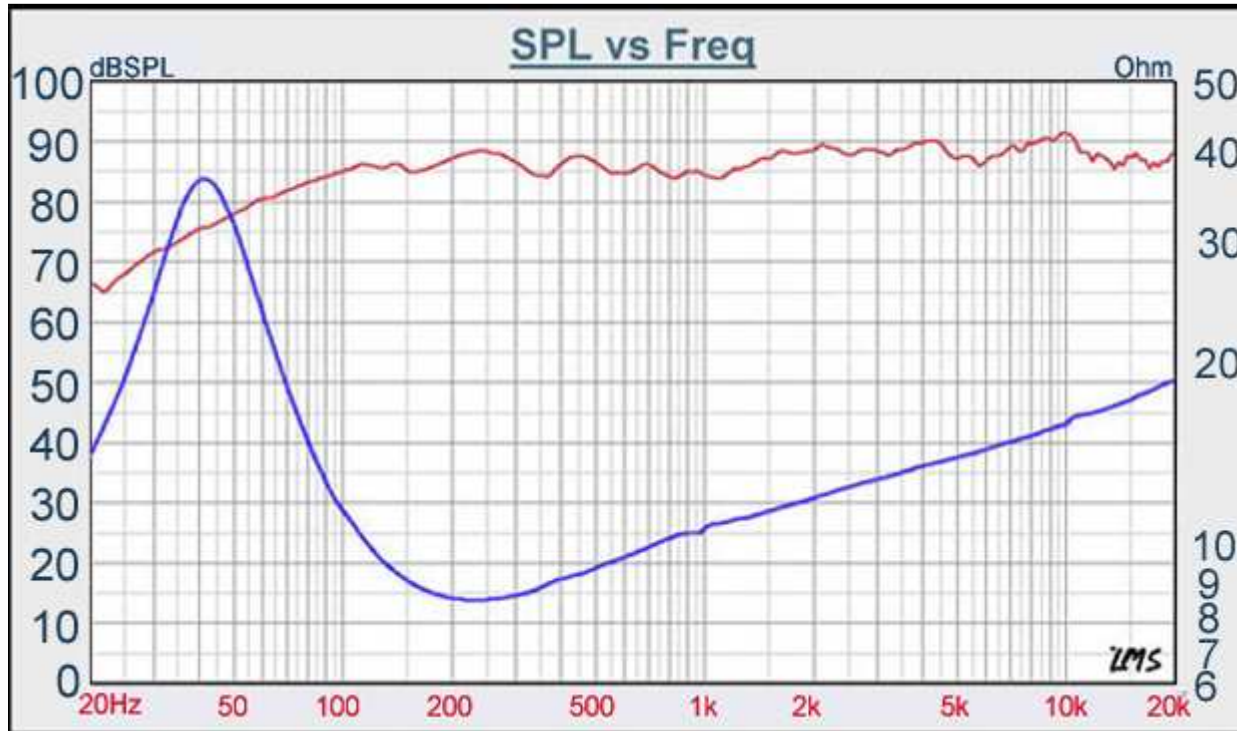


- FULL RANGE DESIGN
- UNDERHUNG MOTOR DESIGN WITH NEO MAGNET,  $X_{max}=5mm$
- VERY LOW THD(2nd AND 3rd HARMONIC DISTORTING)
- UNIQUE PHASE PLUG FOR BETTER DISPERSION
- BAMBOO FIBER PAPER CONE WITH DURABLE FOAM RUBBER SURROUND

## 5" PAPER FULL RANGE

DIAPHRAGM	Paper
MTL	
SURROUND	Foam
MTL	Rubber
NOMINAL IMPEDANCE	8 $\Omega$
DCR IMPEDANCE	6.3 $\Omega$
SENSITIVITY 1W/1m	88 dB
FREQUENCY RESPONSE	45-20K Hz
FREE AIR RESONANCE	45 Hz
VOICE COIL	25.4 mm





<b>DIAMETER</b>	
<b>AIR GAP HEIGHT</b>	15 mm
<b>RATED POWER INPUT</b>	30 W
<b>MAXIMUM POWER INPUT</b>	60 W
<b>FORCE FACTOR, BL</b>	5.46 TM
<b>MAGNET WEIGHT (oz)</b>	Neodymium
<b>MOVING MASS</b>	7.0 g
<b>FERRO FLUID ENHANCED</b>	No
<b>SUSPENSION COMPL.</b>	2110 $\mu\text{MN}^{-1}$
<b>EFFEC.PISTON AREA</b>	0.0094 $\text{M}^2$
<b>Levc</b>	0.023 mH
<b>Zo</b>	35 ohm
<b>X-max</b>	5.0 mm
<b>Vas</b>	26.47 Litr.
<b>Qts</b>	0.32
<b>Qms</b>	1.78

**Qes** 0.38



VOICE: 886.2.26570282 FAX: 886.2.26580166  
 E-MAIL: info@tb-speaker.com

